

Accessories

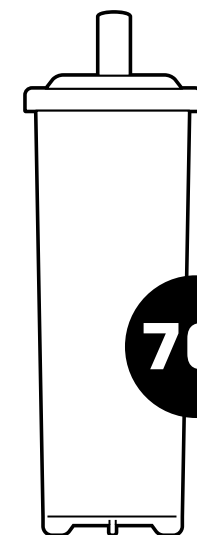
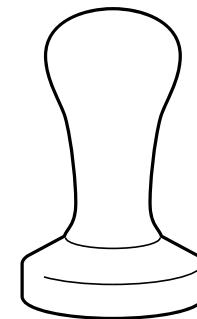
Tampers

PL100PLUS

Lelit stainless steel tamper with red wood handle for Ø58mm filterholders (**not included**).

PL200PLUS

Lelit stainless steel tamper with aluminium handle for Ø58mm filterholders.



70lt

Resin filters

MC747PLUS

Lelit resin filter for water tank (70 l endurance).

For cleaning

MC754/C

Ø58 mm blind filter.

PL103

Box with 10 pack of detergent (20 g each pack) for espresso brew groups (**not included**).

PL104

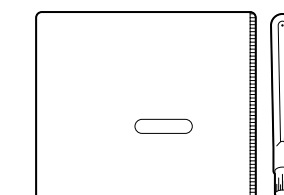
Box with 10 pack of detergent (15 g each pack) for burrs and grinding chambers (**not included**).

MC972

Lelit microfiber cloth 37x44 cm.

PL106

Group brush.

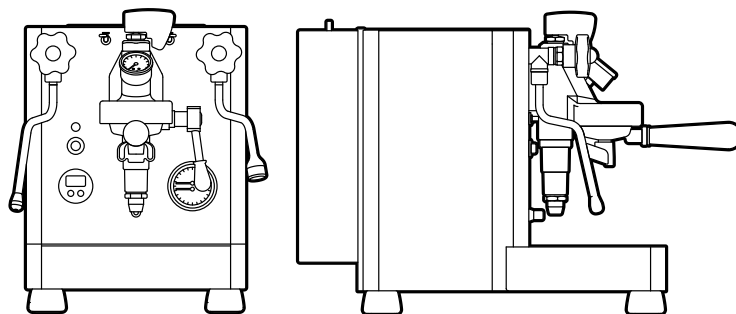


Pro Line
BIANCA

Technical sheet

Aesthetics and technology in a small space.

Model:
PL162T



Dimensions: 29x48,5x40 cm

Weight: 26,5 kg

Rotary Pump Motor: 150 W

Water Tank Capacity: 2,5 lt

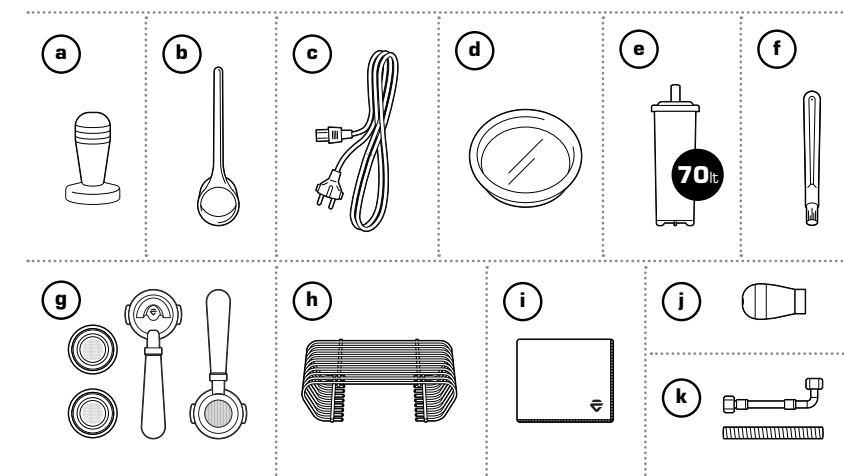
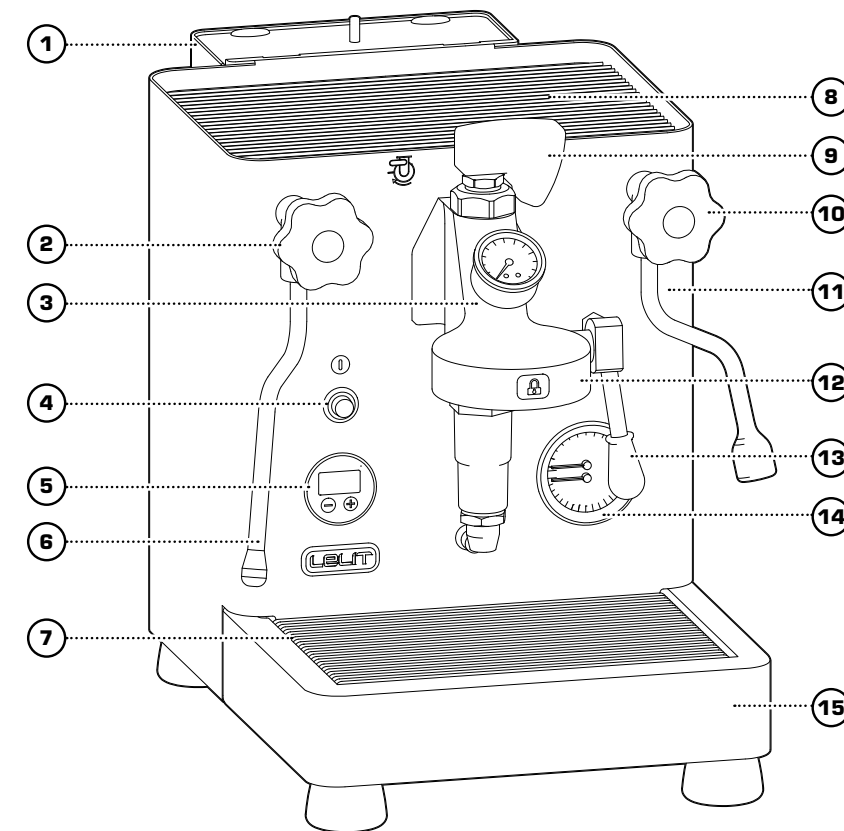
Stainless steel coffee boiler capacity: 800 ml

Stainless steel steam boiler capacity: 1.5 lt

Let our video show you how to use your espresso machine like a real barista.



To see the tutorial, please scan the QR-Code. To read the QR code, download the proper app from your store.



Open the leaflet for...

The quick start Guide

Pro Line
BIANCA
PL162T



espresso.lelit.com



User manual code 7800034, REV 00, dated 01/02/18

Art. PL162T

©2015 Gemme Italian Producers Srl. All Rights Reserved

The information and pictures provided may be changed without notice to improve the machine performance.

LELIT

User Manual



BIANCA

Pro line
PL162T

The espresso machines that combine quality, design and technology

Quick start guide

Pro Line - Bianca

IT Italiano

A. Apri l'imballo B. Applicazione del filtro addolcitore e ricarica acqua del serbatoio C. Accendi la macchina espresso D. Verifica il funzionamento E. Prepara la macchina espresso F. Eroga il caffè G. Eroga il vapore H. Eroga l'acqua calda I. Modifica dei parametri di fabbrica

FR Français

A. Ouvrez l'emballage B. Montez la cartouche filtrante et rechargez l'eau C. Mettez la machine espresso sous tension D. Vérifiez le fonctionnement E. Préparez la machine espresso pour l'extraction F. Extrayez le café G. Distribuez de la vapeur H. Distribuez de l'eau chaude I. Modifiez les paramètres d'usine

DE Deutsch

A. Öffnen Sie die Verpackung B. Harzfilter montieren und Wassertank füllen C. Einschalten der Espressomaschine D. Betriebsprüfung E. Vorbereitung der Espressomaschine F. Kaffee entnehmen G. Dampf entnehmen H. Heißwasser entnehmen I. Abänderung der werkseitig eingestellten Parameter

ES Español

A. Abre el embalaje B. Instalación del filtro suavizador y recarga del agua C. Enciende la máquina espresso D. Comprueba el funcionamiento E. Prepara la máquina espresso para la extracción de café F. Hacer café G. Extrae el vapor H. Extrae el agua caliente I. Cambio de los parámetros predeterminados

RO Română

A. Deschideți ambalajul B. Aplicarea filtrului dedurizant și reîncărcarea cu apă a rezervorului C. Porniți mașina de cafea espresso D. Verificați funcționarea E. Pregătiți mașina de cafea espresso F. Erogarea cafelei G. Erogarea aburului H. Erogarea apei calde I. Modificarea parametrilor din fabrică

RU Русский

A. Откройте упаковку B. Применение смягчающего фильтра и заливка воды C. Включите кофеварку D. Проверка работы E. Подготовка кофеварки эспрессо для приготовления кофе F. Выпуск кофе G. Выпуск пара H. Выпуск горячей воды I. Изменение заводских параметров



Let our video show you how to use your espresso machine like a real barista.



To see the tutorial, please scan the QR-Code. To read the QR code, download the proper app from your store.